

MAD

Metric Spherical Bearings, Chamfered, Self lubricating

Rosejoint®

High Performance series

Outer race

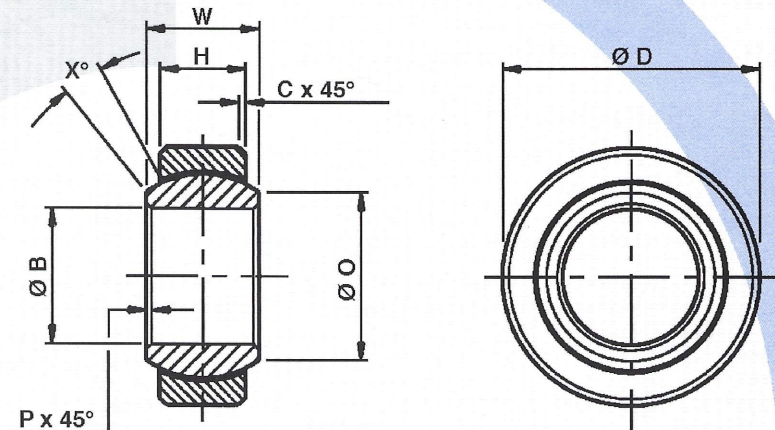
Corrosion resistant steel
AMS 5643. H1150

Ball

Corrosion resistant steel
AMS 5630. Rc 55 to 62

Liner

Rose 'D' type enriched
long life liner qualified
to Mil-B-81820



For tight fit add suffix 'TF' to part no. Eg. MAD06TF

Rose part no	B	D	W	H	O	C	P	X	Max static radial load	Weight
	Bore dia	Race dia	Ball width	Race width	Ball face dia	Race Chamfer	Ball Chamfer	Angle		
MAD	H7	h6	+0 -0,1	+0,1 -0,1	Min	+0,4 -0	+0,4 -0	deg	N	kg
03	3	12	6	4,5	5,1	0,5	0,2	13,5	12556	0,004
05	5	16	8	6,0	7,7	0,5	0,2	12,5	26288	0,009
06	6	18	9	6,75	8,9	0,5	0,3	12,5	35015	0,013
08	8	22	12	9,0	10,4	0,8	0,3	14	61900	0,024
10	10	26	14	10,5	12,9	0,8	0,4	13,5	87355	0,040
12	12	30	16	12,0	15,4	0,8	0,4	13	116020	0,080
14	14	34	19	13,5	16,8	1,0	0,4	16	149000	0,110
16	16	38	21	15,0	19,3	1,0	0,5	15	193766	0,130
18	18	42	23	16,5	21,8	1,0	0,5	15	240112	0,170
20	20	46	25	18,0	24,3	1,0	0,8	14,5	291330	0,230
22	22	50	28	20,0	25,8	1,5	0,8	15	356712	0,280
25	25	56	31	22,0	29,6	1,5	0,8	15	446205	0,390
30	30	66	37	25,0	34,8	1,5	0,8	17	609790	0,610

Dimensions in millimetres

No load rotational breakout torque		
Bore size	Normal fit Nm	Tight fit Nm
03 to 06	0,04 to 0,30	0,20 to 0,50
08 to 14	0,08 to 0,50	0,30 to 0,80
16 to 20	0,12 to 0,80	0,50 to 1,20
22 to 30	0,25 to 1,00	0,60 to 1,50

For other sizes and options please contact Rose Bearings.

For installation details see Technical Data Sheet 5.

Max. static loads quoted are subject to suitable shaft materials.

Please consult Rose Bearings for availability of bearings in this series.

Rose Bearings operates a policy of continual improvement, and therefore reserves the right to revise specifications without notice.

Rose Bearings Ltd - Doddington Road, Lincoln LN6 3RA UK TEL: 01522 500933 FAX: 01522 696485